

# LOCATION PLAN

## BEL-7-1.02

### 1963

SCALE: 1" = 100'

56865

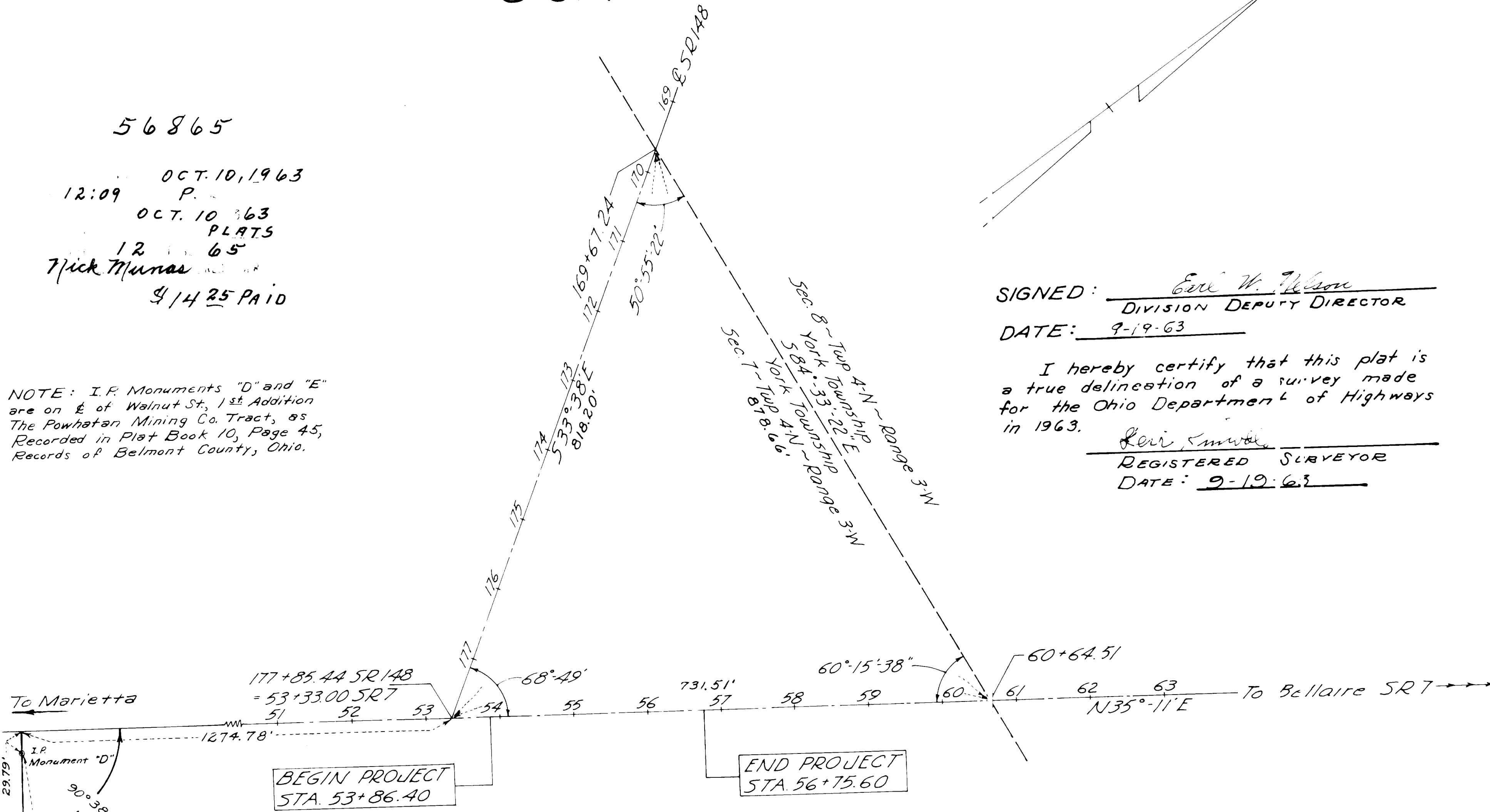
OCT. 10, 1963  
 12:09 P.  
 OCT. 10 1963  
 PLATS  
 12 65  
 Nick Munas  
 \$14.25 PAID

NOTE: I.P. Monuments "D" and "E" are on E of Walnut St, 1st Addition The Powhatan Mining Co. Tract, as Recorded in Plat Book 10, Page 45, Records of Belmont County, Ohio.

SIGNED: Elli W. Nelson  
 DIVISION DEPUTY DIRECTOR  
 DATE: 9-19-63

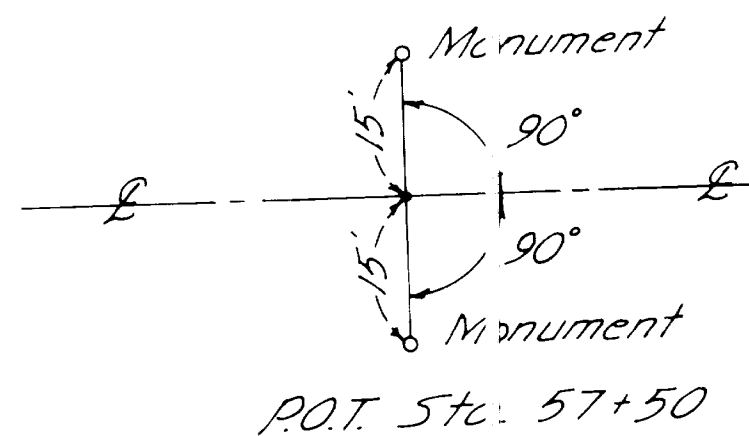
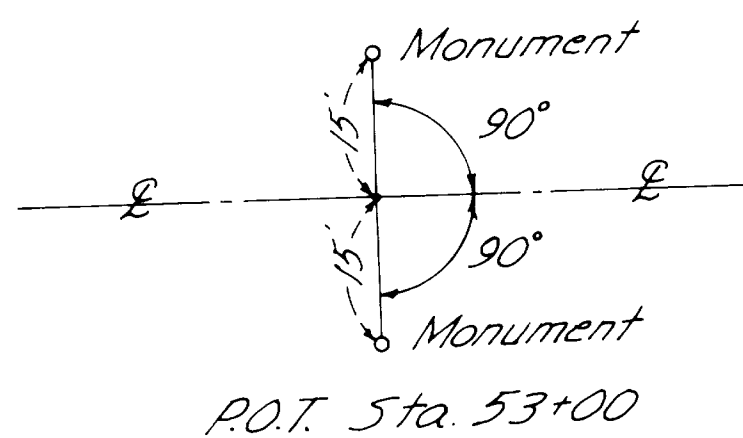
I hereby certify that this plat is a true delineation of a survey made for the Ohio Department of Highways in 1963.

Levi Smith  
 REGISTERED SURVEYOR  
 DATE: 9-19-63



VILLAGE OF POWHATAN POINT

REFERENCE MONUMENTS WILL BE SET DURING CONSTRUCTION AS SHOWN.



9/20/63  
 Approved for Recording  
[Signature]  
 Belmont Co. Surveyor